

Type CIQ

Surface Mount Very Fast-Acting Chip Fuse

1206 size
RoHS Compliant

CIQD1105



Electrical Characteristics (ULICSA STD. 248-14)

Testing current	Blow Time	
	Minimum	Maximum
100%	4 hrs	N/A
200%	N/A	5 sec
300%	N/A	0.2 sec

Approvals



Safety Agency Approvals	Amp range / Volt @ I.R. ability
Listed File No. E20624 Certified File No. LR39772 Recognized File No. E20624	250mA - 5A / 125V AC @ 100A and 63V DC @ 50A 7A / 63V AC and DC @ 50A

RoHS Compliant Product

RoHS Reflow Reference : JEDEC J-STD-020C (260°C, 40 sec max)
 RoHS Wave Soldering Compatible : (260°C, 10 sec max)

Environmental Specification

Shock Resistance

MIL-STD-202G, Method 213B, Test Condition I
 (100 G's peak for 6 milliseconds; Sawtooth Waveform)

Vibration Resistance

MIL-STD-202G, Method 201A (10-55 Hz, 0.06 inch, total excursion)

Salt Spray Resistance

MIL-STD-202G, Method 101E, Test condition B (48 hrs)

Insulation Resistance

MIL-STD-202G, Method 302, Test Condition A
 (After Opening) 10,000 ohms minimum

Solderability

MIL-STD-202G, Method 208H

Soldering Heat Resistance

MIL-STD-202G Method 210F, Test Condition C. Top Side
 (260°C, 20 sec)

MIL-STD-202G Method 210F, Test Condition D. Bottom Side
 (260°C, 10 sec)

Thermal Shock Resistance

MIL-STD-202G, Method 107G, Test Condition B
 (-65°C to +125°C)

Operating Temperature

-55°C to +125°C

Catalog Number	Ampere Rating	Typical Cold Resistance (ohm)	Volt-drop @100% I _n (Volt) max.	Melting I ² T <10mSec (A ² Sec)	Melting I ² T @10 I _n (A ² Sec)	Maximum Power Dissipation (W)
CIQ 250	250mA	0.88	0.31	0.0018	0.0001	0.10
CIQ 375	375mA	0.47	0.26	0.0044	0.0004	0.12
CIQ 500	500mA	0.32	0.23	0.008	0.001	0.14
CIQ 750	750mA	0.175	0.19	0.019	0.002	0.18
CIQ 1	1A	0.119	0.17	0.035	0.004	0.21
CIQ 1.25	1.25A	0.087	0.16	0.057	0.006	0.24
CIQ 1.5	1.5A	0.070	0.15	0.084	0.010	0.28
CIQ 2	2A	0.049	0.14	0.15	0.019	0.35
CIQ 2.5	2.5A	0.038	0.14	0.25	0.032	0.43
CIQ 3	3A	0.032	0.14	0.37	0.050	0.52
CIQ 3.5	3.5A	0.028	0.14	0.53	0.072	0.62
CIQ 4	4A	0.025	0.14	0.67	0.094	0.71
CIQ 5	5A	0.021	0.15	1.10	0.16	0.96
CIQ 7	7A	0.018	0.18	3.10	0.37	1.57

Consult manufacturer for other ratings

Physical Specification

Materials

Ceramic Substrate / Printed Element

Marking

On fuse:

None

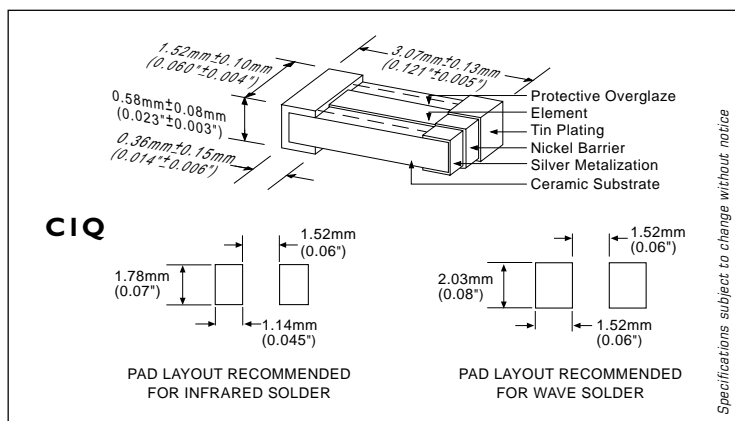
Label on reel:

“bel”, “CIQ”, “Current Rating”, “Voltage Rating”, “Interrupting Rating”, “Appropriate Safety Logos” and “” for RoHS Version

Packaging

5,000 fuses in 7 inches dia. reel, 8mm wide tape, 4mm pitch, per EIA-481 (equivalent IEC-286 part 3)

Mechanical Dimensions



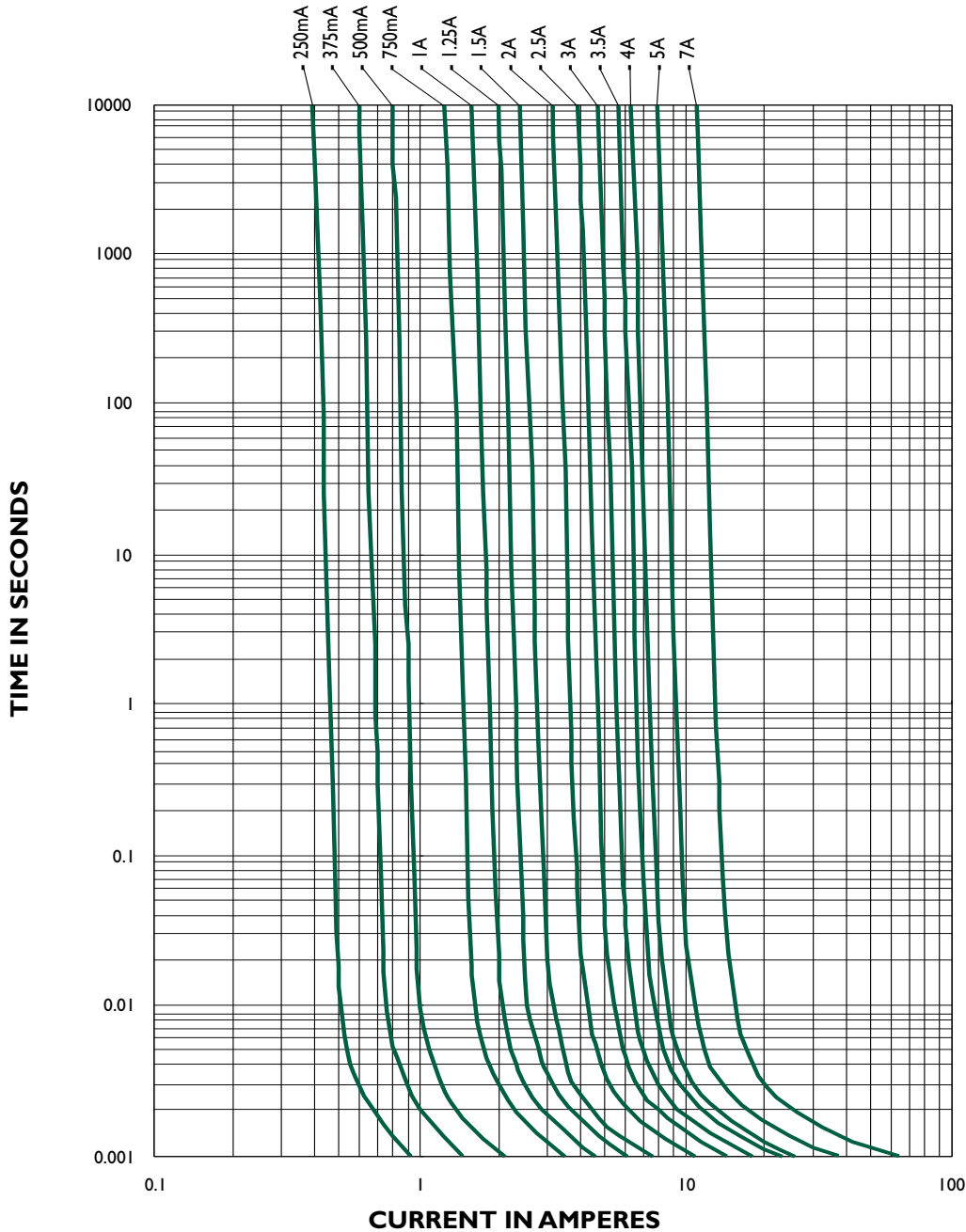
ORDERING INFORMATION SEE LAST 2 PAGES

Type CIQ
Surface Mount Very Fast-Acting Chip Fuse

I206 size
RoHS Compliant

CIQC1004

CIQ - TIME CURRENT CHARACTERISTIC CURVE



Specifications subject to change without notice

NOTE - see important information under "User Guide" on P.08

Corporate Office
Bel Fuse Inc.
206 Van Vorst Street, Jersey City, NJ 07302
Tel: 201-432-0463
Fax: 201-432-9542
E-Mail: belfuse@belfuse.com
Website: www.belfuse.com

Far East Office
Bel Fuse Ltd.
8F/8 Luk Hop Street
San Po Kong
Kowloon, Hong Kong
Tel: 852-2328-5515
Fax: 852-2352-3706

European Office
Bel Fuse Europe Ltd.
Preston Technology Management Centre
Marsh Lane, Preston PR1 8UD
Lancashire, U.K
Tel: 44-1772-556601
Fax: 44-1772-888366